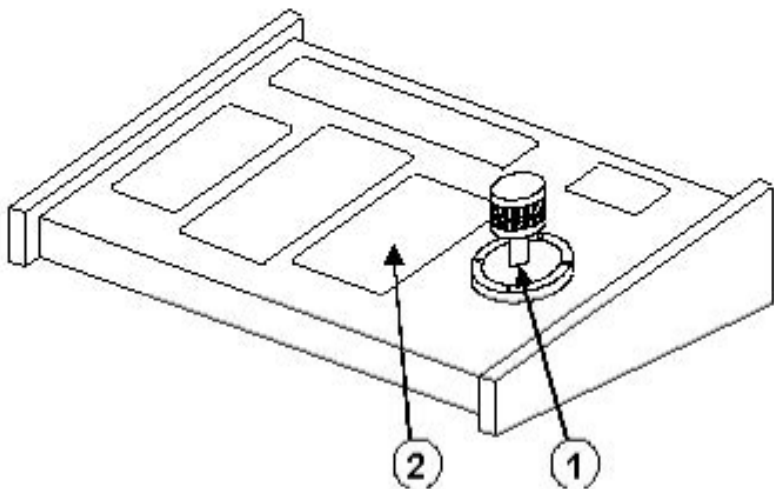


# 3-D PTZ KEYBOARD CONTROLLER

Model #: RPTZ-3D-Controller

- 3 - Axis Controller  
(Pan/Tilt & Zoom - All from Joystick)
- LCD readout for instant information on each dome controlled
- Can be used Stand-Alone or in conjunction with our DVR control port
- Proportional Joystick Speed Control  
(move the joystick a little for slow speed & as you move the joystick more - the speed increases)
- Twist Zoom Control on the joystick
- Store Presets, Tours & more
- Can control up to 255 Rugged CCTV Domes



Pan/Tilt (1)	Move the joystick until the camera reaches the desired position. To increase the speed of movement, move the joystick further from center.
Zoom (1)	Twist the joystick clockwise to zoom in, counterclockwise to zoom out.
Lens Control (2)	Focus, Iris, Zoom - Press and hold the appropriate lens control key until the desired effect is seen.