

NIGHT CHASER

36X



Long Distance Infrared PTZ

432X ZOOM - Our Longest Zoom Lens EVER!

The Night Chaser -36X Double Barrelled Infrared Pan/Tilt/Zoom Camera from Rugged CCTV is the pinnacle of our Xtreme PTZ series of cameras.

Night Chaser is rate for extreme enviroments and even shock rated for mobile vehicle mounting, pole top, roof top or even mast mounting.



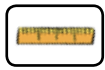
The Integrated Infrared Spotlight points where the camera is looking and throws an invisible IR beam up to 300 feet or more on a moonless night.



Temperature rated for 35°F below zero, and up to 135°F, the Night Chaser-36X is right at home in almost any enviroment, and is seated against weather conditions and moisture to IP66.



The Night Chaser-36X is perfect for security vehicles, border operations, unlighted lots and yards, and also excels when mast mounted on mobile trailers or vehicles.



This cameras' small size is surprising for the performance it delivers - only 14 1/2" wide x 9 3/8" tall.

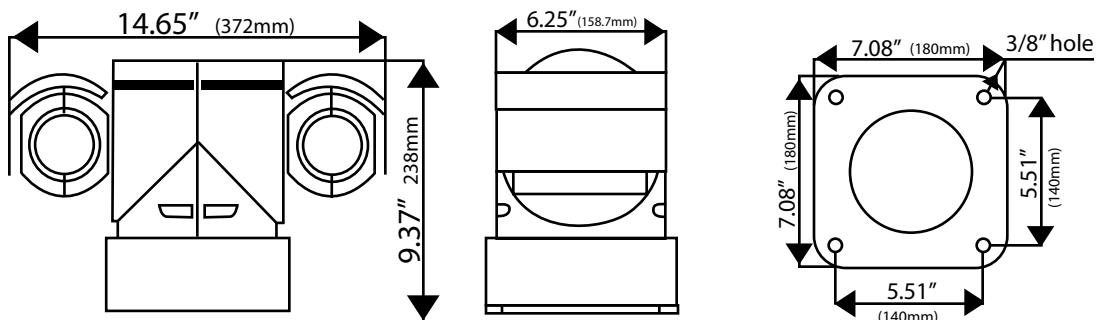


At the heart of this Rugged PTZ is a Sony Ex-View Super HAD CCD that delivers 480 Lines of Resolution with automatic controls that turn the Infrared Array on at 4-5 Lux, and the camera switches over to black & white mode at 2-3 Lux.



The Night Chaser -36X is available in either 12V DC or 24V AC models, depending on how you intend to use it - vehicle/mobile or fixed locations. Please specify voltage when ordering.

Night Chaser



Weight: 13.21 lbs (6Kg)

Full Specifications continued on next page

Specifications for Night Chaser 36X

RX-NightChaser-36X	
Image Sensor	1/4" -type EXview HAD CCD
Picture Elements (H x V in mm)	EIA/NTSC: 795H x 596V
Resolution	480 Lines
Minimum Illumination	1/60 s mode: 1.4 lx (typical) (F1/6, 50IRE) 1/4 s mode: 0.1 lx (typical) (F1.6, 50IRE)
S/N Ratio	>50dB
Electronic Shutter Speed	1/1 to 1/10,000 s, 22 steps
Zoom	36X Optical 12X Digital = 432X Total Zoom
Focus	Auto/Manual
Focal Length	f=3.4~122.4mm 36X
Iris / Zoom	Auto/Manual
White Balance	Auto, ATW, Indoor, Outdoor, One-push, Manual
Video Output	VBS: 1.0 Vp-p (sync negative), Y/C
AE Control	Auto, Manual, Priority mode, Bright, EV compensation, Backlight compensation, Slow AE
Backlight Compensation	On/Off
Privacy Zone Masking	On/Off (24 positions)
Flicker Cancel	AUTO
Synchronization	Internal
Scanning Frequency	15625Khz (H) x 60Hz (V)
Lux	0 Lux (with LEDs on)
Pan Preset Speed	100°/s
Tilt Preset Speed	60°/s
Tilt Speed	0~50°/s
Pan Speed	0~70°/s
Tilt Rotation	90° (180° Auto Overturn)
Control	Multiprotocol, RS485 Baudrate from 2400~19200 Bps
Preset	128
Patrol Function	6 Patrol Patterns
IR Project Distance	100 m / 300 feet
Relative Humidity	10-90%
Power	AC 24V / 12V DC (choose upon ordering)
Camera + PTZ Consumption	18W (no IR and PTZ movement)
Camera Module Consumption	5W
PTZ on Movement Consumption	24~30W
Heater Consumption	4W
Wiper Consumption	3W
Shock	>4G
Weight	6KG
Operation Temperature	-35°F to 135°F
Waterproof Class	IP66



5327 Cedar Creek Drive • Kemp, Texas 75143

Toll Free: 866-301-CCTV • Phone: 903-498-3240 • Fax: 903-498-8989

www.rugged-cctv.com